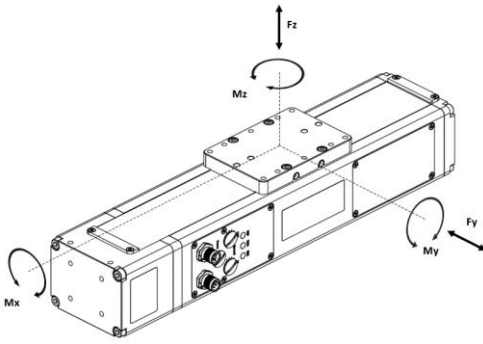


# Data sheet Linear Axis CTL



Size		CTL-60	
<b>Control / Parameterization</b>		<b>IO-Link</b> / Digital I/O e.g. positioning applications / e.g. simple lifting movement	
<b>Setting force &amp; speed</b>		<b>IO-Link</b> / Control panel	
<b>Stroke</b> (incl. additional stroke: 10mm)	[mm]	100, 200, 300, 500, 600, 800, 1000	
<b>Spindle pitch</b>	[mm/U]	5	10
<b>Max. Feed force (peak)</b>	[N]	800	400
<b>Max. Feed force (continuous operation)</b>	[N]	400	200
<b>Max. Speed</b>			
In 24V operation	[mm/s]	150	300
In 48V operation		300	600
<b>Max. Acceleration</b>	[m/s <sup>2</sup> ]	10	20
<b>Positioning precision</b>	[mm]	+/- 0.1mm	
<b>Repeat precision</b>	[mm]	+/- 0.02mm	
<b>Spindle type</b>		Balls screw	
<b>Mounting position</b>		any	
<b>Integrated linear guide</b>		15mm profile rail guide with ball carriage	
<b>Permissible forces / moments on slides</b>		Bottom mounted:	side mounted:
Fy	[N]	400	1500
Fz	[N]	500	1500
Mx	[Nm]	12	20
My	[Nm]	80	80
Mz	[Nm]	30	30
<b>Ambient temperature</b>	[°C]	0...+40	
<b>Ambient temperature note</b>		At ambient temperatures above 25° C a reduction in performance must be expected.	
<b>Storage temperature</b>	[°C]	-20...+60	
<b>Protection class</b>		IP40 according to EN 60529	
<b>Relative humidity</b>	[%]	0...90 (non-condensing)	
<b>Motor type</b>		Synchronous Servomotor	
<b>Rotor position encoder</b>		Absolut, single turn, 12bit	
<b>CE mark (see Declaration of Conformity))</b>		According to <b>EU-RoHS Directive</b>	
		According to <b>EU EMV Directive</b>	

Connections, signals, control		
Status display		3x LED
Power interface, connection type		Plug 4-pole, M12x1, T-coded according to EN 61076-2-111
Rated voltage power circuit	[V DC]	24 - 48
Max. current consumption	[A]	3.5 (continuous load operation)
	[A]	5 (peak load operation)
Signal interface, connection type		Plug 8-pole, M12x1, A-coded according to EN 61076-2-101
Operating range signal input	[V DC]	24
Permissible voltage variations	%	+/- 15
Max. current consumption logic	[mA]	50
Max. current digital signal outputs	[mA]	100 / output
Number of digital signal inputs	3	extend, retract, teach
Number of digital signal outputs	3	extended, retracted, ready
Features signal input		not galvanically isolated
Max. cable length	[m]	20, for inputs and outputs
Switching logic outputs		push-pull
Switching logic inputs		positive switching
Reference	Move in	fixed stop intern / stop external
	Move out	fixed stop intern / stop external

Weight (+/- 10%)			
For 200 mm stroke	[g]	CTL-060-__-S:	2871
		CTL-060-__-B:	3624
		CTL-060-__-F:	2220
Per 10mm stroke additionally	[g]	CTL-060-__-S / -B:	58
		CTL-060-__-F:	48
moving mass	[g]	CTL-060-__-S / -B:	588
		CTL-060-__-F:	487

Materials	
Housing, cover, slide	Aluminium colourless anodized
Connecting piece	Aluminium, red anodized
Cover plate	Stainless steel hardened
Screws, Grease nipple	Steel Galvanized
Spindle	heat-treated steel
Spindle nut	Roller bearing steel
Guide rail	heat-treated steel
Guide carriage	steel, Plastic
Covers knobs	Stainless steel
Connector fittings	Zinc nickel plated
Note on materials	RoHS compliant